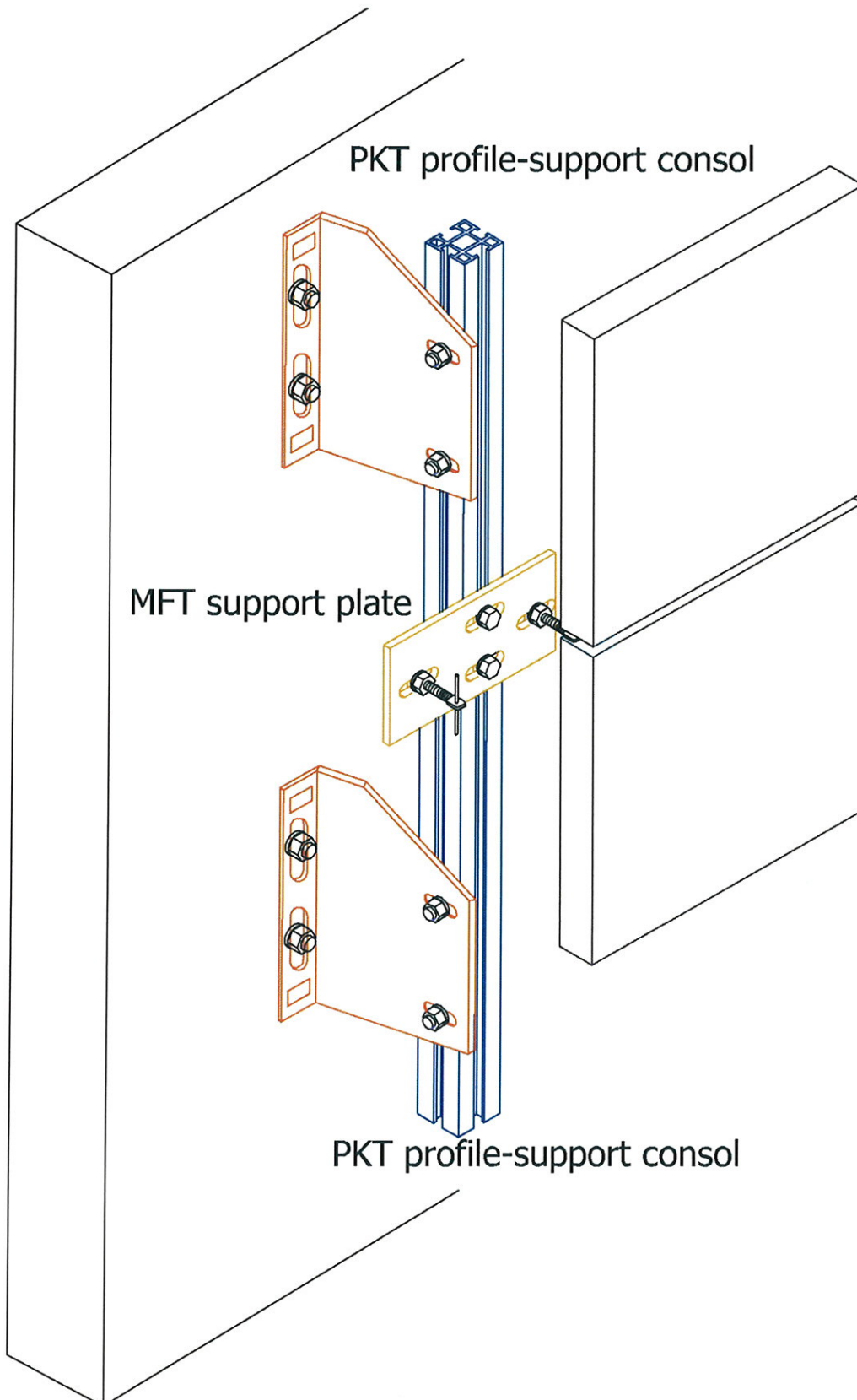


PROFIX KONZOL

PFK 32/32 type aluminium montage-profilrail facade hanger-fixing system

Patent: HU-3.001/2005 Patent: EP 1.891.282-A1/2008

ÉMI NMÉ: A-124/2018 certificate



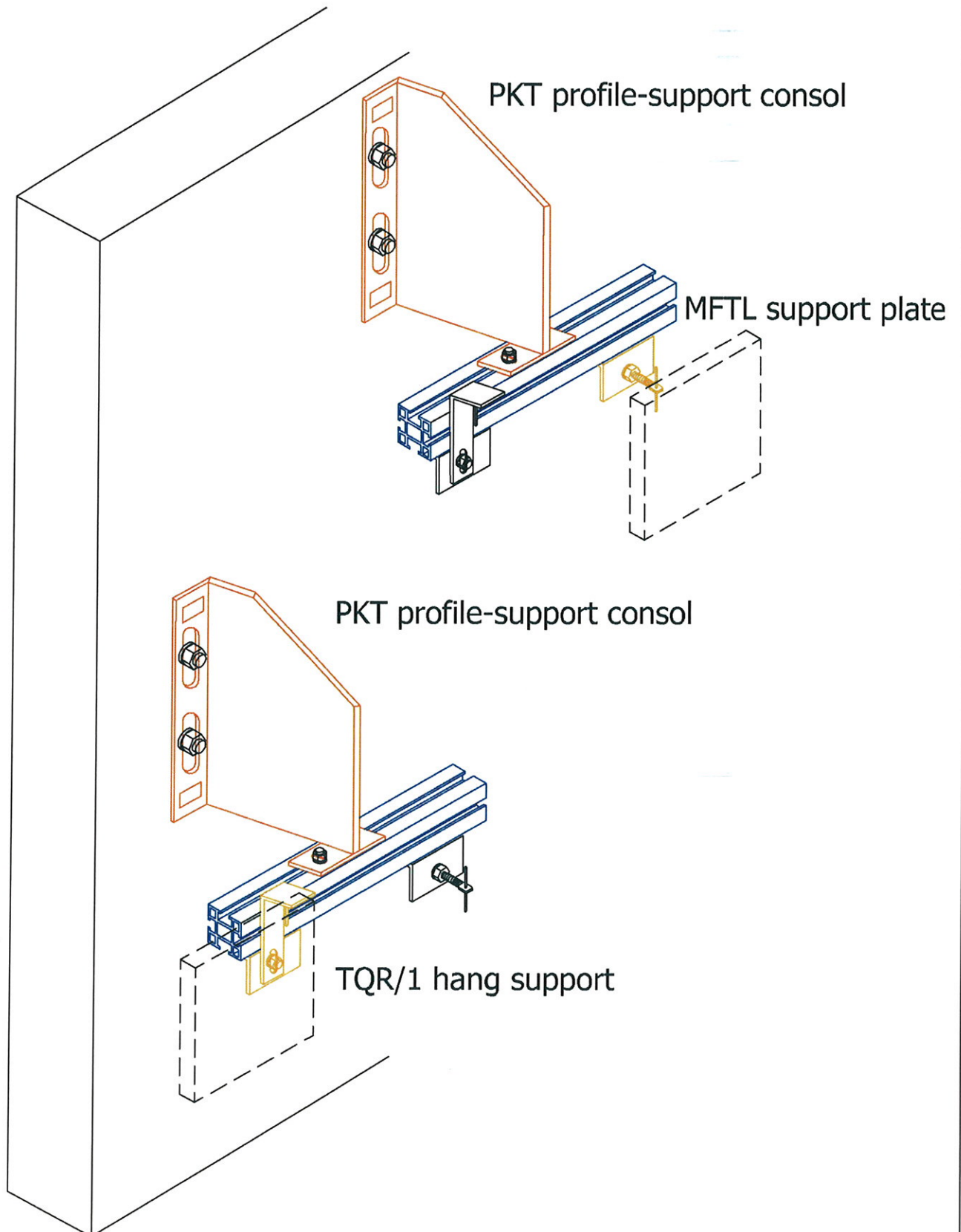
Application: stoneplate paving type - 2-5 cm

PROFIX KONZOL

PFK 32/32 type aluminium montage-profilrail facade hanger-fixing system

Patent: HU-3.001/2005 Patent: EP 1.891.282-A1/2008

ÉMI NMÉ: A-124/2018 certificate



Application: stoneplate paving type - 2-5 cm